

TOWNSHIP OF SEVERN

ADDENDUM #2



CHRISTMAS LIGHTING DISPLAYS

PW RFQ 2019-022

Date Issued: 7/10/2019

Township of Severn
1024 Hurlwood Lane
Orillia, ON

OVERVIEW

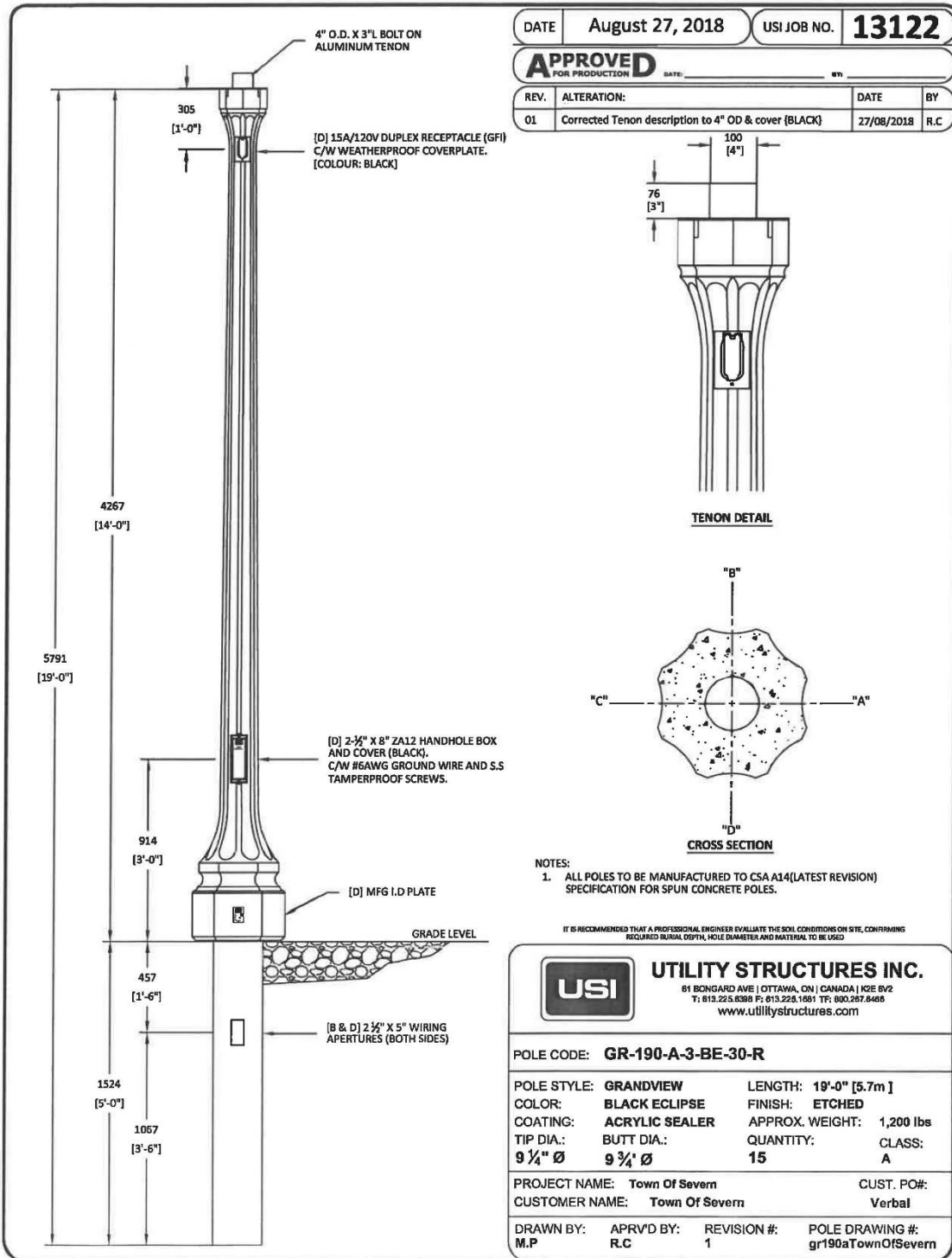
This Addendum is issued to clarify the above Tender regarding Christmas Lighting Displays:

Changes

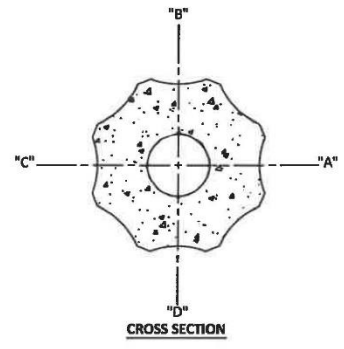
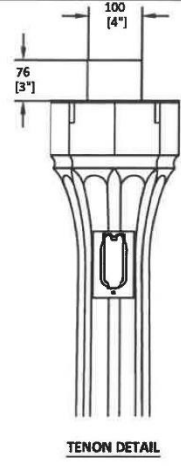
Coldwater Snowflakes Mounted on Light Poles: Supply and Install

1. The Snowflakes have been changed to a lit pole mounted traditional Christmas wreath to fit the Coldwater light fixture - See Appendix "1". Wreaths are to have at a minimum for decorations for daytime effect; ornaments, bows and garland. Lights to be multi-coloured.
2. Respondents are encouraged to complete a site visit to ensure all site logistics are correct.

Appendix "1"



DATE	August 27, 2018	USI JOB NO.	13122
APPROVED FOR PRODUCTION			
REV.	ALTERATION:	DATE	BY
01	Corrected Tenon description to 4" OD & cover (BLACK)	27/08/2018	R.C



NOTES:
1. ALL POLES TO BE MANUFACTURED TO CSA A14 (LATEST REVISION) SPECIFICATION FOR SPUN CONCRETE POLES.

IT IS RECOMMENDED THAT A PROFESSIONAL ENGINEER EVALUATE THE SOIL CONDITIONS ON SITE, CONFIRMING REQUIRED BURIAL DEPTH, HOLE DIAMETER AND MATERIAL TO BE USED

UTILITY STRUCTURES INC.
81 BONGARD AVE | OTTAWA, ON | CANADA | K2E 6V2
T: 613.225.8388 F: 613.228.1461 TP: 800.267.8468
www.utilitystructures.com

POLE CODE: GR-190-A-3-BE-30-R			
POLE STYLE:	GRANDVIEW	LENGTH:	19'-0" [5.7m]
COLOR:	BLACK ECLIPSE	FINISH:	ETCHED
COATING:	ACRYLIC SEALER	APPROX. WEIGHT:	1,200 lbs
TIP DIA.:	9 3/4" Ø	BUTT DIA.:	9 3/4" Ø
		QUANTITY:	15
		CLASS:	A
PROJECT NAME:	Town Of Severn	CUST. PO#:	Verbal
CUSTOMER NAME:	Town Of Severn		
DRAWN BY:	M.P	APRV'D BY:	R.C
		REVISION #:	1
		POLE DRAWING #:	gr190aTownOfSevern

— COLDWATER —



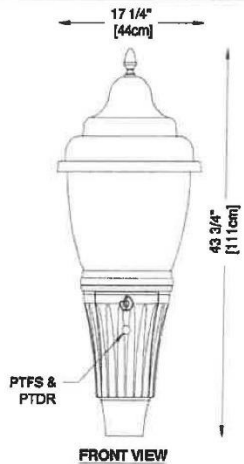
APPROVAL - SPECIFICATION

Project : Severn (Add)

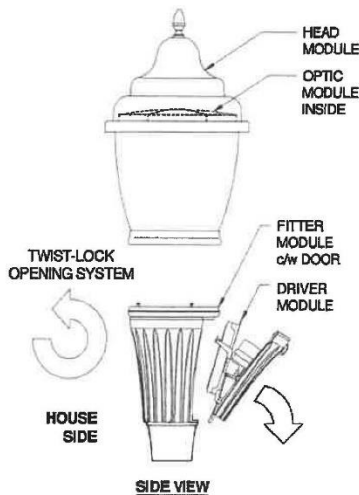
Order:SQ_019229

Type: A Luminaire: CA23T4-VS3AR-GAL-2-60W-4K-120-F2AP-DIM-PTFS-PTDR-RAL9005TX

Page: 1/1 Qty:1



FRONT VIEW



SIDE VIEW

EPA : 2.2 ft² Weight: 35 lbs / 16 kg

Luminaire components

Head module: Round shape. A decorative spun hood with an aluminum finial, top an injection-molded clear acrylic ribbed (VS3AR) vessel. UV polymer resistant. The vessel is mechanically assembled with an aluminum die-cast ring on the locking system.

Opening system: A quarter-turn locking mechanism with constant pressure points allowing a tool-free access to the LED. Made with cast aluminum parts and sealed with a silicone gasket compression system. It offers an IP66 weatherproof protection. The luminaire electrical components are located inside fitter and offers an IP54 weatherproof protection. Certification, maintenance and luminaire codification labels are located inside the fitter.

Fitter module: Round fluted shape cast aluminum fitter c/w built-in removable door with tool-free latch and sealed with a gasket compression system, allowing an easy tool-free access to the driver and terminal block connector. Secured to the pole with 5/16-18 UNC set screws. Slip-fits on a 4"(7cm) outside diameter x 3"(7cm) long tenon.

Optical/electrical components

LED: 60 Watts, 4000K (White). Super high flux output and high luminance, design for high current operation. LED board is mechanically mounted on heatsink for easy replacement. Minimum color rendering index (CRI) 70. Correlated color temperature (CCT) 4000 Kelvin.

Optic: IES type III (2). The optic's collimator is made of segmented facets to obtain an higher uniformity with a maximum pole spacing. Complete with heat sink radiator to keep the LED temperature down and increase their longevity.

Heatsink: Die cast aluminium alloy has been thermally tested for maximum efficacy.

Driver module: Auto-adjustable 120-277VAC Class I driver. Primary voltage at 120 volts. 50/60 Hz. THD max 20%. ROHS compliant. Assembled on a tool-free removable tray with quick connectors resisting up to 221°F (105°C). High power factor of 90%. Minimum starting temperature: -40°F (-40°C). Maximum operating temperature: 130°F (55°C). Overheat protection: Output current is reduced to 150mA if internal driver temperature (Tcase) exceeds 185°F (85°C). Complete with a 3-Pole 10KV surge protector for Line-Ground, Line-Neutral and Neutral-Ground according to IEEE/ANSI C62.41.2 C High. Complete with a 0-10 volts dimmer (DIM).

Generals/Options

Wiring/hardware: Type TEW 14-7, 12" (30cm) minimum exceeding from luminaire. All electrical connections between modules are made with quick-disconnect connectors for easy maintenance. All exposed hardware is stainless steel. Silicone gaskets are used for a weather seal.

Color: RAL9005 (Jet black) / **Finish:** textured (TX) or smooth (SM) . Application of a polyester powder coat of paint. (5 mils /127 microns). The finish meets the ASTM G7, B117 and D1654 requirements relative to salt spray and humidity resistance. Cyclone recommends the textured finish for this product.

Photocell (PTFS): Photocell twist lock type, 120 volts. Long life, Fail ON mode. Installed on cap, head swivels to allow aiming as desired. Sun-Tech model #TRS-2.

Dimmable Photocell Receptacle (PTDR): Receptacle, seven (7) pins dimmable, for twist lock type photocell, 120 volts. (ANSI C136.41) installed on door, inside the fitter.

Stamp/Approval
Name: [Signature] Date: September, 15th, 2016

File : CA23T4 - SQ_019229 - SEVERN (ADD).DOC
Date : 15/09/2016 Page : 1/1
Designer : viacampo

Cyclone Lighting - Phone: 450-434-5000 - Fax: 450-434-5001, 2175 Boulevard des Entreprises, Terrebonne, QC. J6Y 1W9, info@cyclonelight.com